



DENTIS Co., LTD. www.dentis.co.kr

KOREA +82-53-583-2804~5 / USA +1-323-677-4363~5 / TAIWAN +886-2-2808-5933

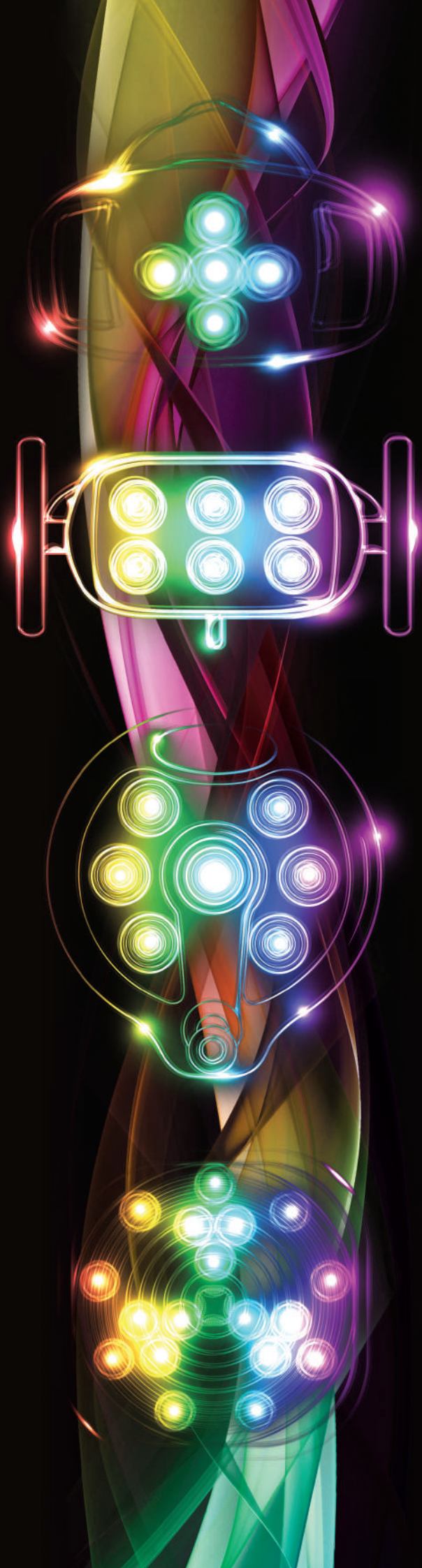
©2013 DENTIS CO.,LTD.
All Right Reserved.

Specifications are subject to change without notice.
Trademarks are the property of DENTIS CO., LTD. Or their respective owners.

D-C-LVS-2013/11-Eng,(V2)



GOD DESIGN



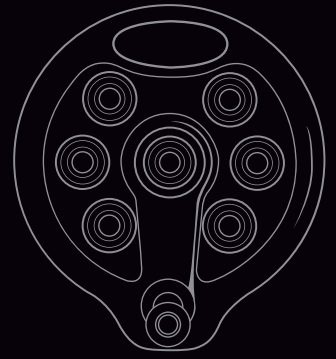
Professional LED Light System



- Luvis-C100
- Luvis-C200
- Luvis-S100
- Luvis-S200

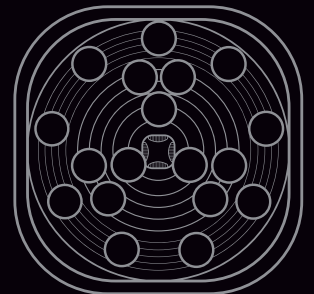


Luvis is the compound word, formed from the words "**Luce**"(light in Italian) and "**Vis**"(power in Latin), meaning "Power of Light" or "Strong Light".



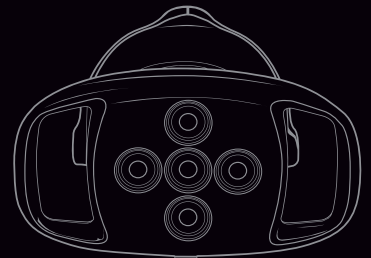
 **Luvis S100**

- Minor surgery ● Medical ● Value -
- Mobile Type ● Dual Type -
- White ● Blue ● Green -



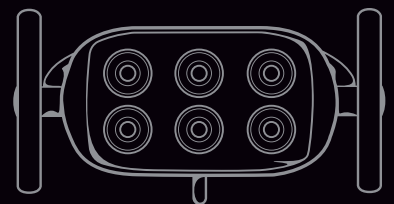
 **Luvis S200**

- Minor surgery ● Value -
- Mobile Type ● Dual Type ● Wall Type ● Ceiling Type -
- Ivory ● Blue -



 **Luvis C100**

- Medical -
- Dual Type -
- White -

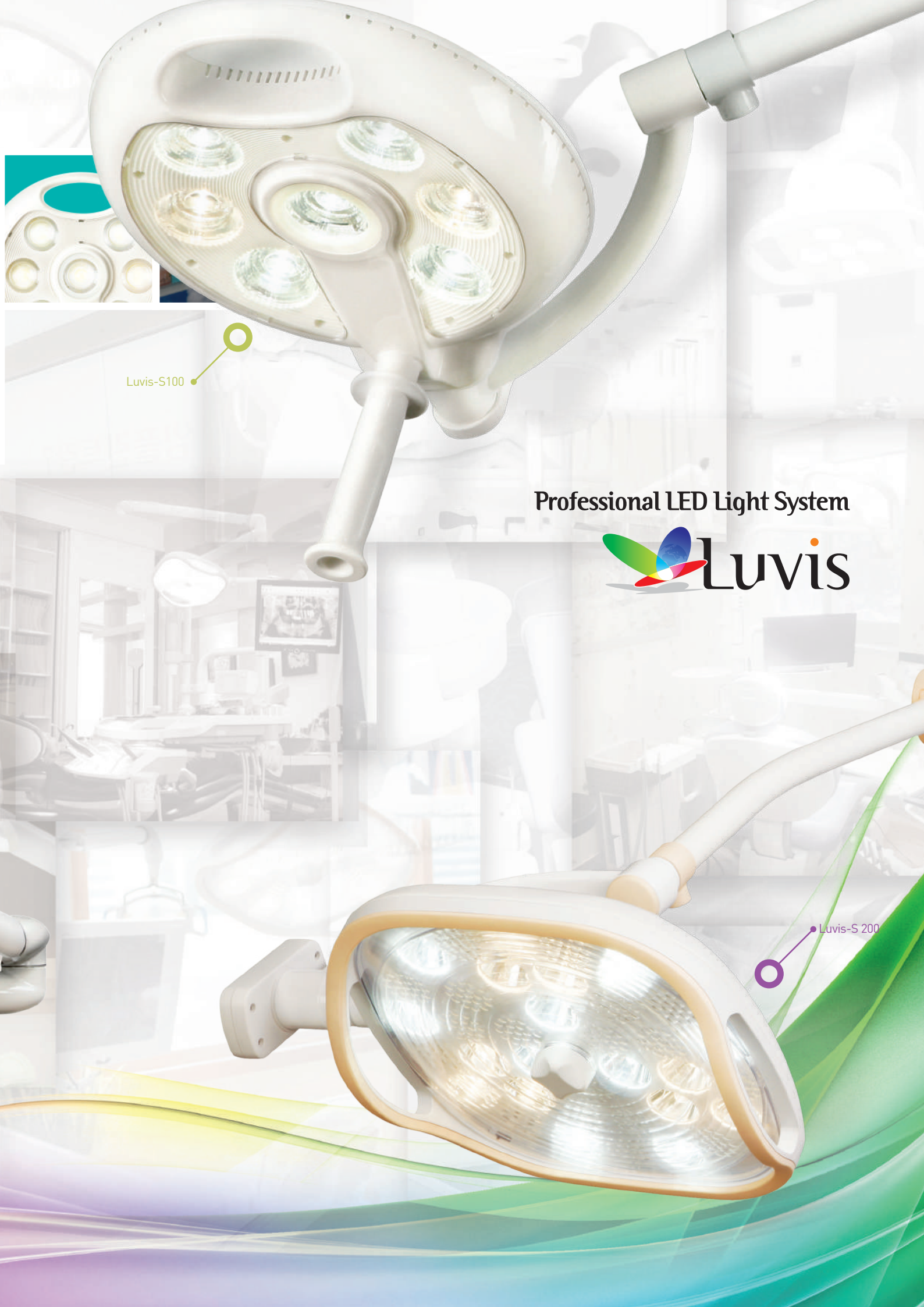


 **Luvis C200**

- Medical -
- Dual Type -
- Gray -



Luvis-C 100



Luvis-S100

Professional LED Light System

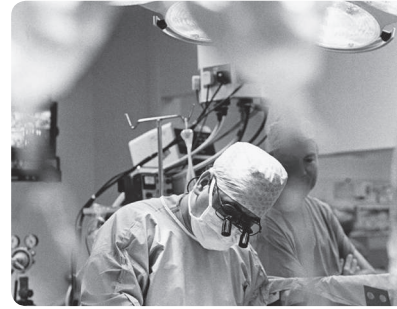
 **Luvis**

Luvis-S 200

I. Comfortable Light

Luvis uses professional LED light sources, developed for the health of users' eyes, considering clinical environment which requires sophisticated diagnosis and surgery. Luvis also creates eye protective surroundings, utilizing high CRI technology.

Provides optimal medical environment, getting rid of dazzling and poor color rendering under the halogen light and low CRI.



Luvis LED vs Halogen

Luvis gives less stress than halogen to eyes at the same light intensity.



Luvis LED

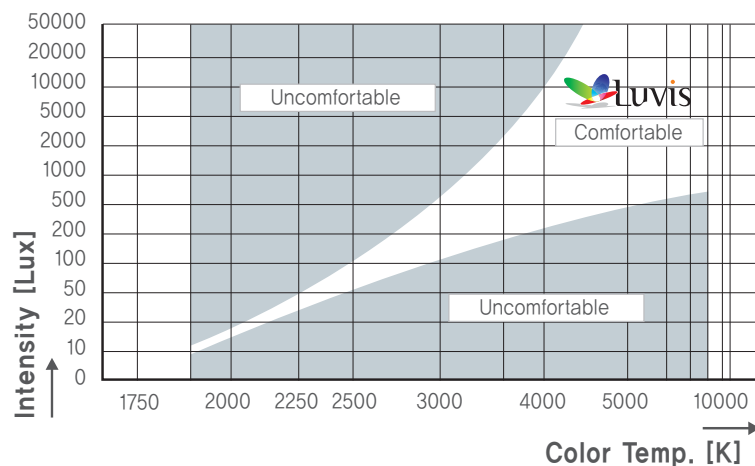


Halogen

In case of lower color temperature with high light intensity, eye dazzling effect occurs.

At the same light intensity, high color temperature gives much brighter light field.

Kruithof Comfort Curve

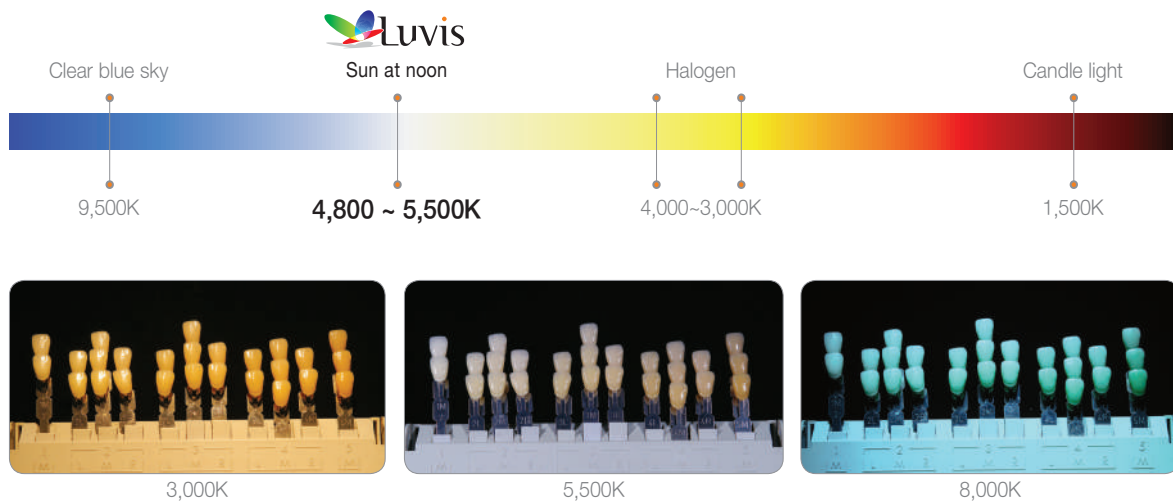


Comfortable Light



II. Natural Light

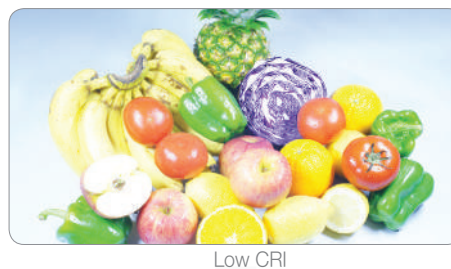
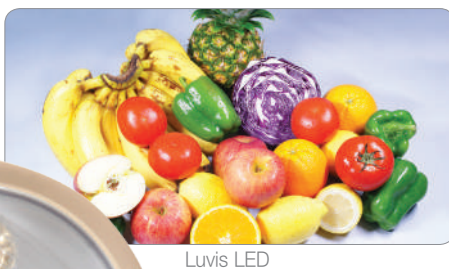
Luvis provides daylight-like light, seen at noon, creating high color temperature at the same light intensity. Nonetheless, much less dazzling helps users to concentrate on surgery, minimizing eye fatigue.



Guarantees accurate and reliable natural colors

Luvis LED vs Low CRI

Luvis high CRI displays a more natural color.
The light with only high brightness hardly delivers true colors.



Natural Light

III.

Healthy Light

Luvis emits no ultraviolet and infrared rays, preventing skin-aging.



Luvis LED



Halogen



Luvis LED



Halogen

Anti-aging
Effect

The aging process, resulting from ultraviolet exposure, includes gradual pigmentation, red spots, wrinkles, expanded pores and hair loss.

Using halogen puts users in a prolonged exposure to ultraviolet during medical treatment and surgery.

LED has been proven to be effective in anti-aging improvement and is being widely used in dermatological treatments.

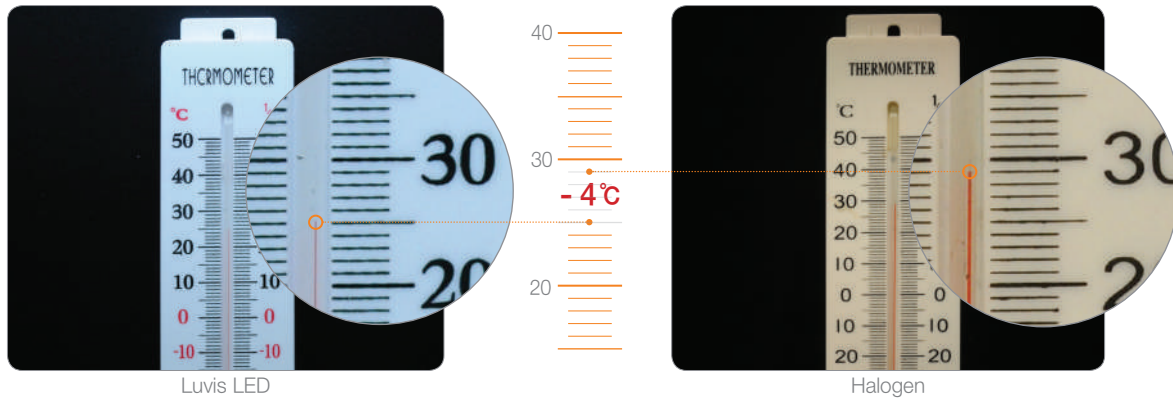
Healthy Light

 Luvis

NO! UV

IV. Safe Light

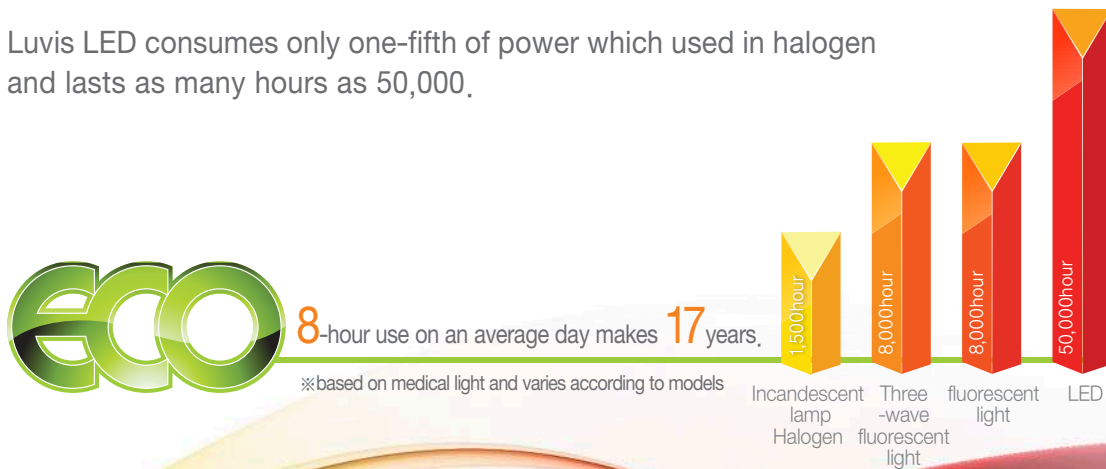
In comparison with halogen, Luvis LED emits much less heat to create safe treatment environment, minimizing heat transfer to treatment region and blood coagulation on dermal tissues.



The comparison experiment research with the same light intensity and focal distance shows that the temperature on treatment region under Luvis LED is 4°C less than halogen.

V. Ecological(=Economical) Light




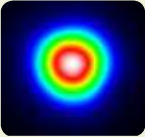
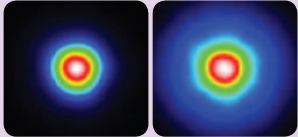
Luvis LED consumes only one-fifth of power which used in halogen and lasts as many hours as 50,000.



Safe Light

Ecological(=Economical) Light

VI. Luvis Line-up

	Luvis-S100	Luvis-S200
Image		
Option 1	100M (Mobile Type) 100D (Dual Type)	200M (Mobile Type) 200D (Dual Type) 200W (Wall Type) 200C (Ceiling Type) 200CD (Ceiling Type / Dual Arm)
Option 2	White, Blue, Green	Ivory, Blue
Installation	M : On mobile wheel D : On chair	M : On mobile wheel D : On chair W : On the wall C : On ceiling CD : On ceiling
Light Intensity	Max 60,000Lux (Button Type / 5-step)	Max 60,000Lux (Button Type / 5-step)
CRI (Ra)	85	90
Color Temperature	4,800K	3,800 / 4,300 / 4,800K
Focal Size	Diameter 14cm (Circle) 	Diameter 18 ~ 30cm (Circle) 
Focal Distance	70cm	1m
Head Size	33,2 x 30,3cm	35 x 34cm
Power Consumption	18W	25W
Power Input	100~250Vac, 50 / 60Hz	100~250Vac, 50 / 60Hz
LED Unit	7	18
LED Life Span	50,000 hours	50,000 hours

	Luvis-C100	Luvis-C200
	Dental	Dental
Image		
Option 1	Dual Type	Dual Type
Option 2	White	Gray
Installation	On chair	On chair
Light Intensity	Max 17,000Lux (Dial Type)	Max 30,000Lux (Dial Type)
CRI (Ra)	95	92
Color Temperature	5,500K	4,800K
Focal Size	13 X 7cm (Rectangle) 	15 X 8cm (Oval) 
Focal Distance	65cm	70cm
Head Size	29,5 x 17,5cm	30 x 15,5cm
Power Consumption	12W	12W
Power Input	10~18Vac, 50 / 60Hz	10~18Vac, 50 / 60Hz
LED Unit	5	6
LED Life Span	50,000 hours	50,000 hours

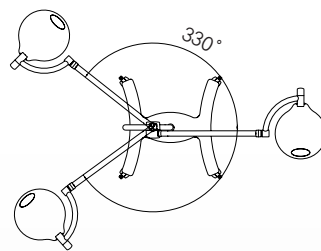
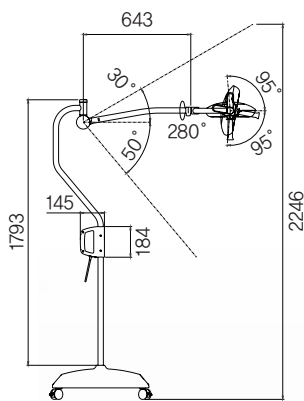
Detachable Hygienic Handles & Colors



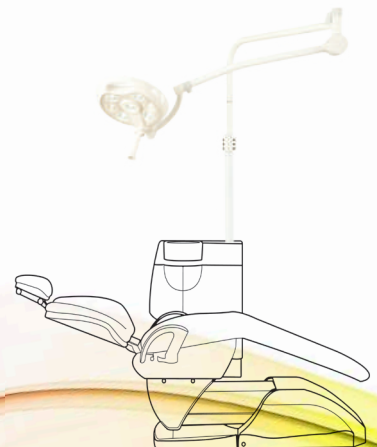
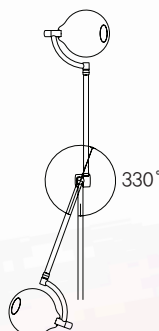
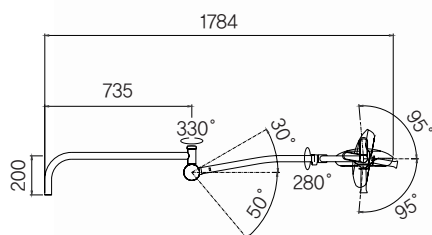
Intuitive Control



Luvis-S 100 M (Mobile Type)


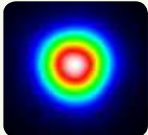


Luvis-S 100 D (Dual Type)




LUVIS-S 100

| Dental | Medical | Veterinary |

Image	
Option 1	100M (Mobile Type) 100D (Dual Type)
Option 2	White, Blue, Green
Installation	M : On mobile wheel D : On chair
Light Intensity	Max 60,000Lux (Button Type / 5-step)
CRI (Ra)	85
Color Temperature	4,800K
Focal Size	Diameter 14cm (Circle) 
Focal Distance	70cm
Head Size	33,2 x 30,3cm
Power Consumption	18W
Power Input	100~250Vac, 50 / 60Hz
LED Unit	7
LED Life Span	50,000 hours

Comparative Advantage in Shadowless Effect

Less shadow even under 50% screened condition



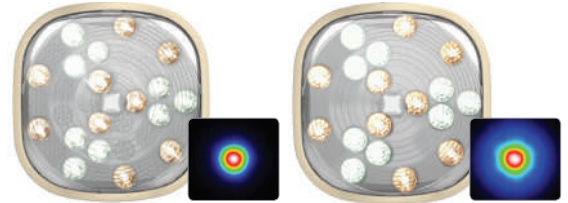
Luvis-S200



other companies

Adjustable Pattern Size

18cm-pattern for posterior and 30cm-pattern for anterior regions

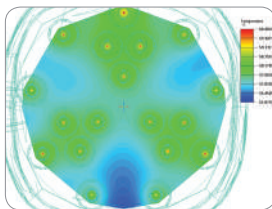


Min. pattern (18cm diameter)
•Separate diffusion pattern and reflective lenses

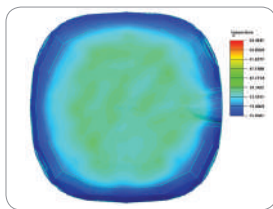
Max. pattern (30cm diameter)
•Match diffusion pattern and reflective lenses

Noise-free Cooling System

Fan-less structure generates no heat and noise

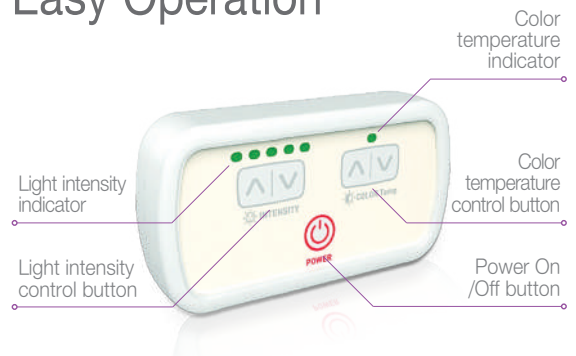


Interior

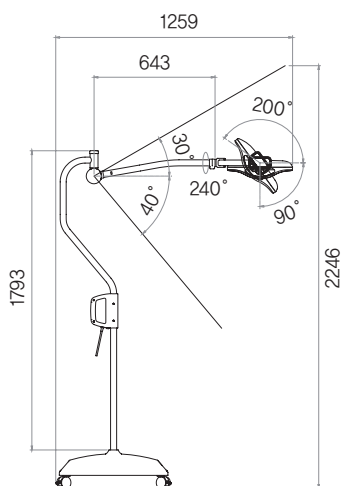


Exterior(head cover)

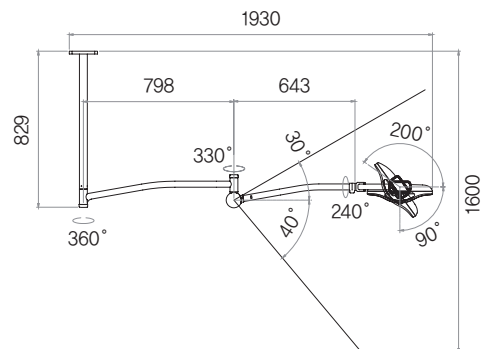
Easy Operation



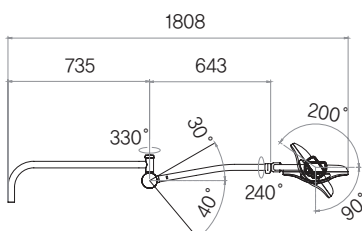
Luvis-S 200 M (Mobile Type)



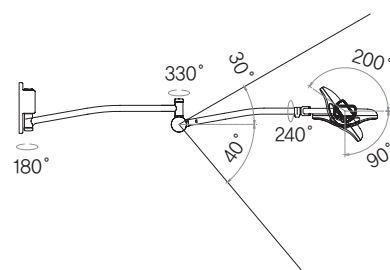
Luvis-S 200 C (Ceiling Type)



Luvis-S 200 D (Dual Type)



Luvis-S 200 W (Wall Type)



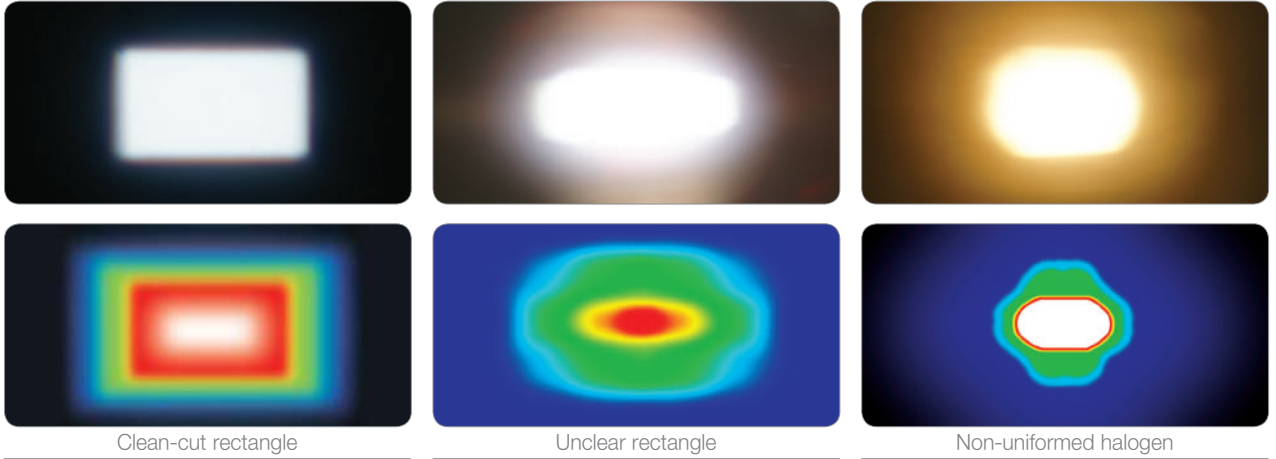

Luvis-S 200

| Dental | Medical | Veterinary |

Image	
Option 1	200M (Mobile Type) 200D (Dual Type) 200W (Wall Type) 200C (Ceiling Type) 200CD (Ceiling Type / Dual Arm)
Option 2	Ivory, Blue
Installation	M : On mobile wheel D : On chair W : On the wall C : On ceiling CD : On ceiling
Light Intensity	Max 60,000Lux (Button Type / 5-step)
CRI (Ra)	90
Color Temperature	3,800 / 4,300 / 4,800K
Focal Size	Diameter 18 ~ 30cm (Circle) 
Focal Distance	1m
Head Size	35 x 34cm
Power Consumption	25W
Power Input	100~250Vac, 50 / 60Hz
LED Unit	18
LED Life Span	50,000 hours

Uniformed Light & Rectangle Pattern

While other companies' LED generates light blurriness, Luvis gives clean-cut light pattern and provides optimal dental treatment environment as well.

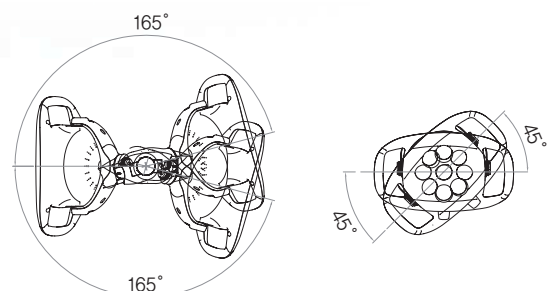
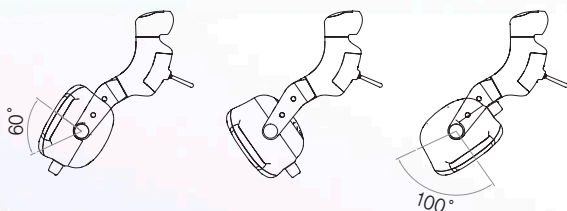
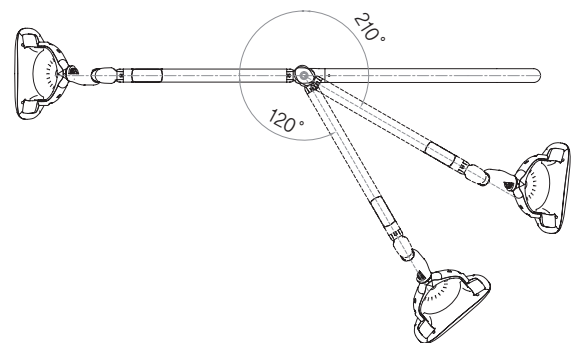
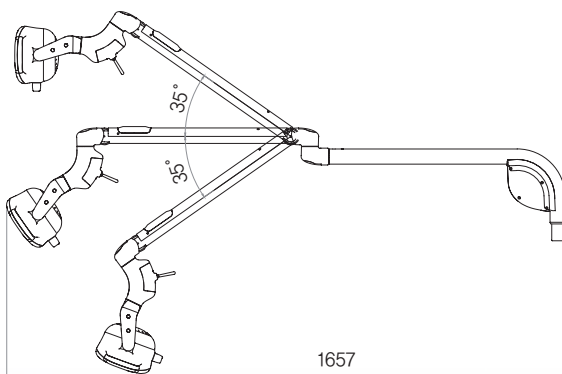
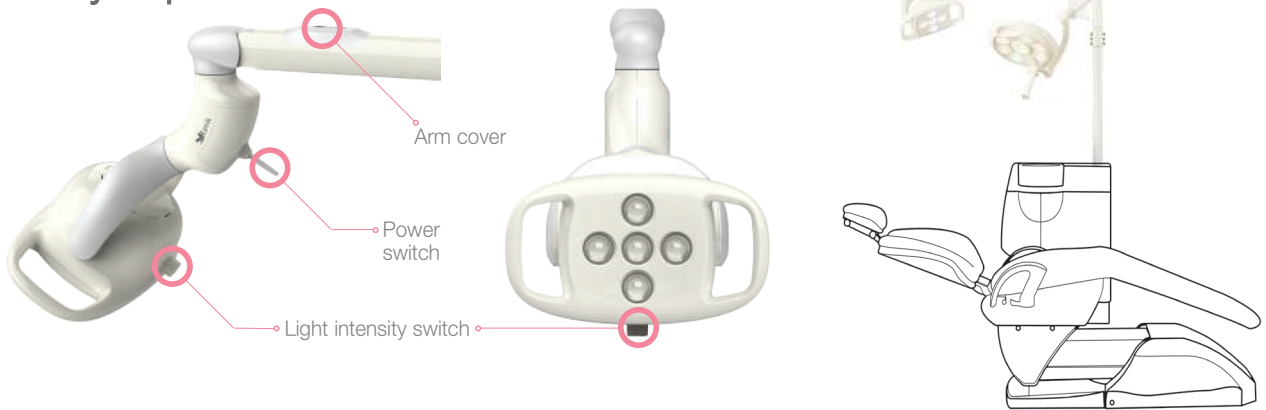


Clean-cut rectangle

Unclear rectangle

Non-uniformed halogen

Easy Operation





LUVIS-C 100

| Dental |

Image	
Option 1	Dual Type
Option 2	White
Installation	On chair
Light Intensity	Max 17,000Lux (Dial Type)
CRI (Ra)	95
Color Temperature	5,500K
Focal Size	13 x 7cm (Rectangle) 
Focal Distance	65cm
Head Size	29,5 x 17,5cm
Power Consumption	12W
Power Input	10~18Vac, 50 / 60Hz
LED Unit	5
LED Life Span	50,000 hours

Sterilizable & Detachable Handles

Adopts neodymium magnet to detach handles. Conveniently detachable, autoclavable and pasteurizable for sanitary use.

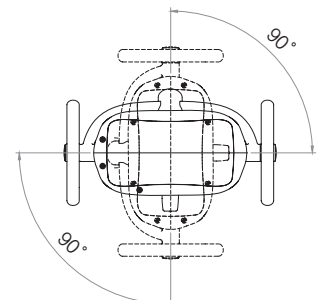
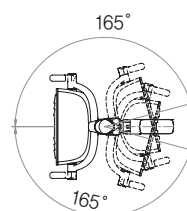
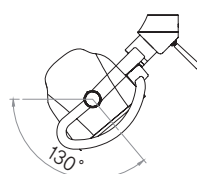
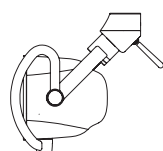
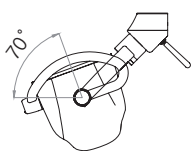
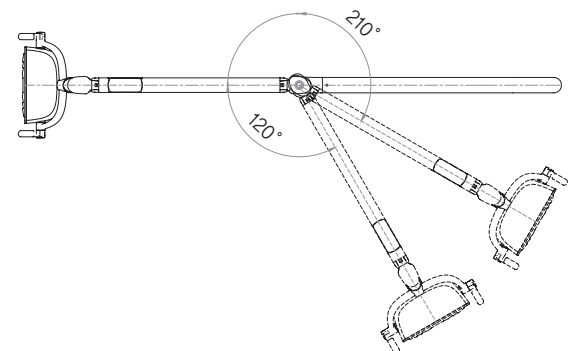
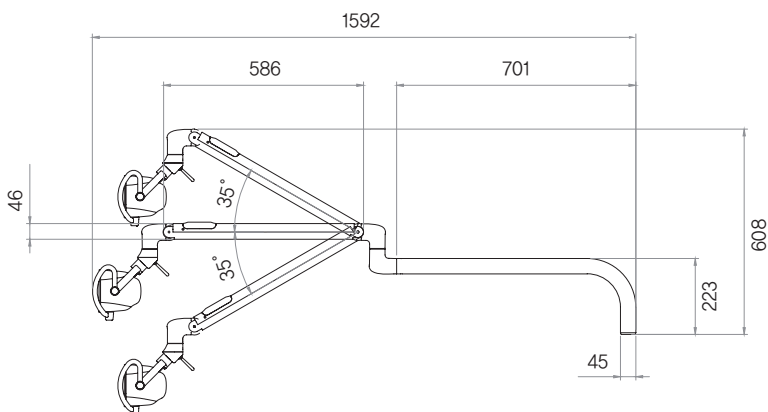
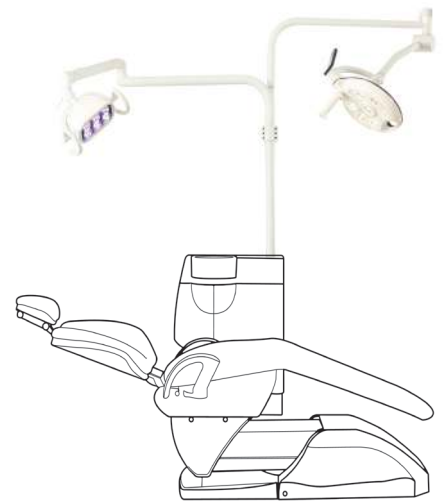
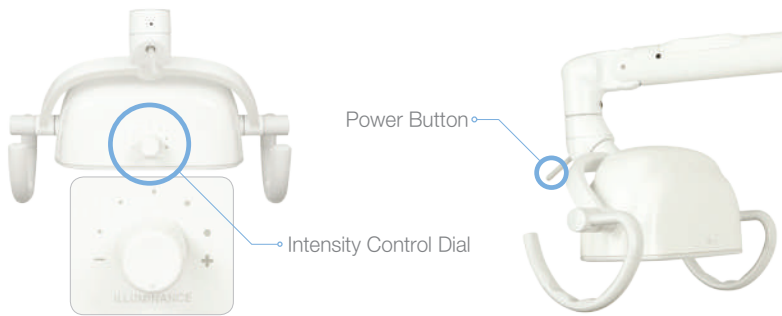


Optimized Optical Design

Lens-less optical design with reflector makes it possible to remarkably reduce power consumption and realize high light intensity.



Intuitive Control




Luvis-C 200

| Dental |

Image	
Option 1	Dual Type
Option 2	Gray
Installation	On chair
Light Intensity	Max 30,000Lux (Dial Type)
CRI (Ra)	92
Color Temperature	4,800K
Focal Size	15 x 8cm (Oval) 
Focal Distance	70cm
Head Size	30 x 15,5cm
Power Consumption	12W
Power Input	10~18Vac, 50 / 60Hz
LED Unit	6
LED Life Span	50,000 hours